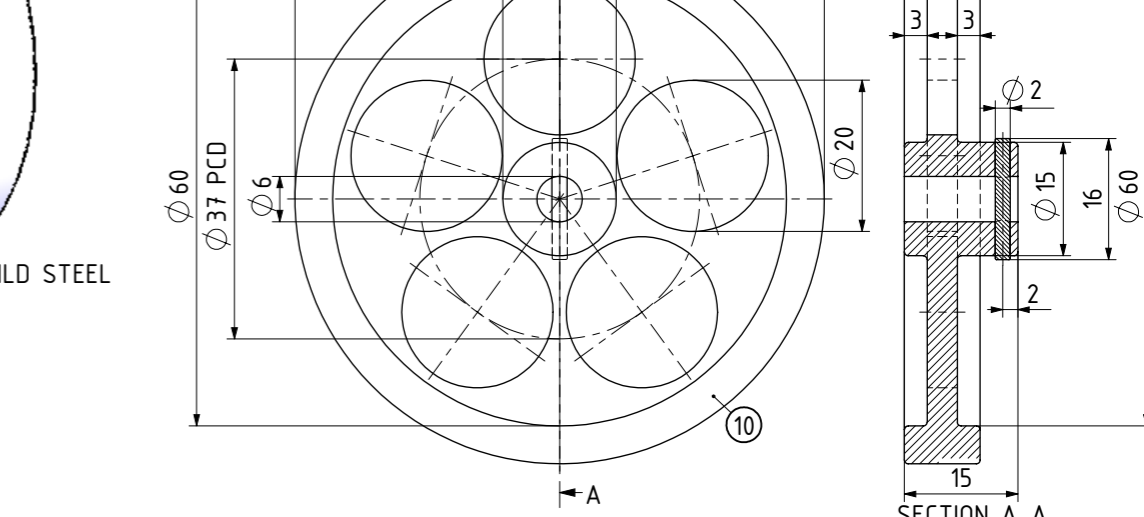
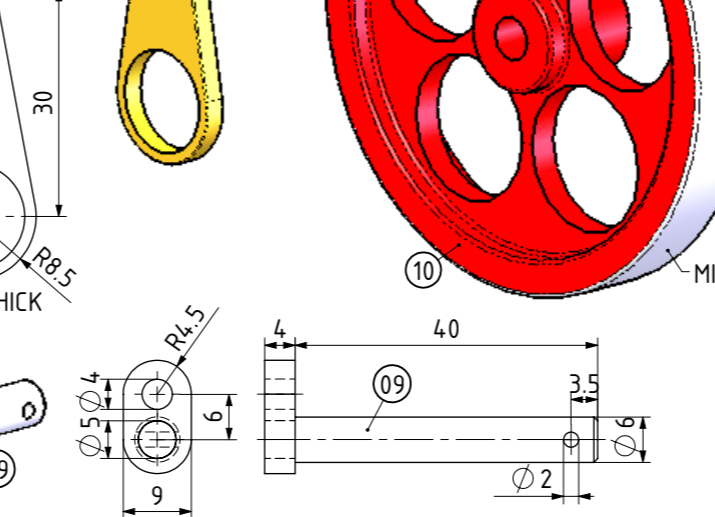
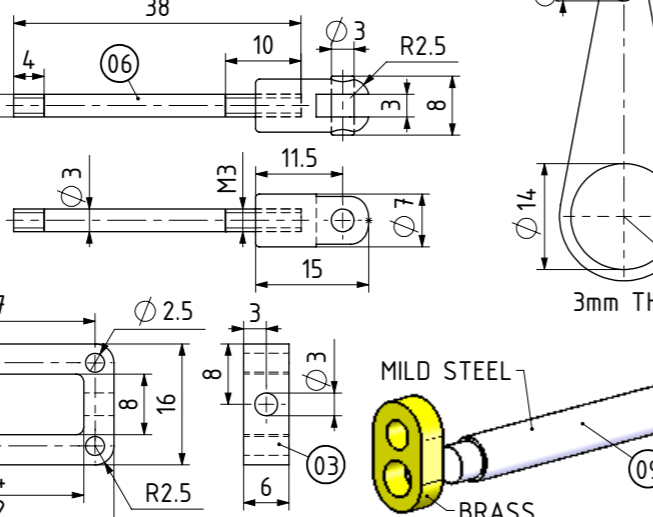
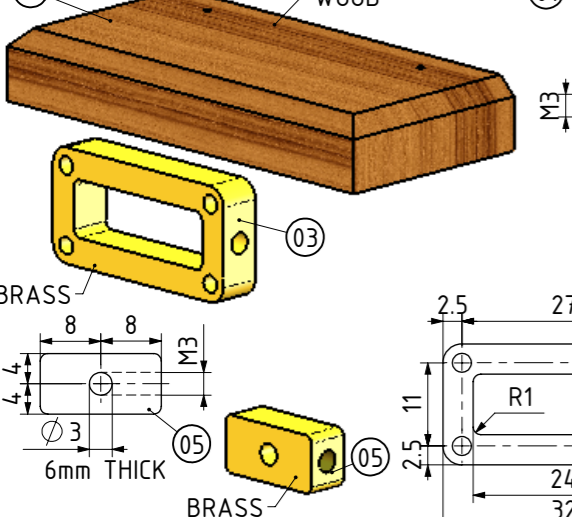
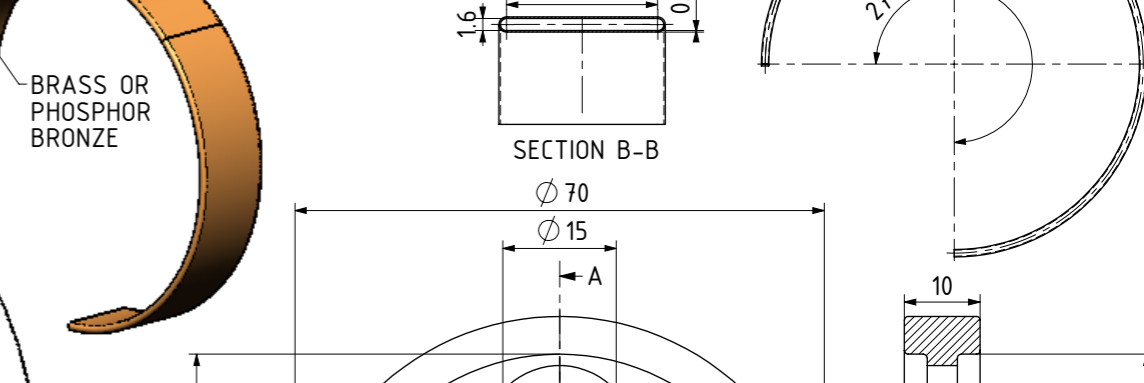
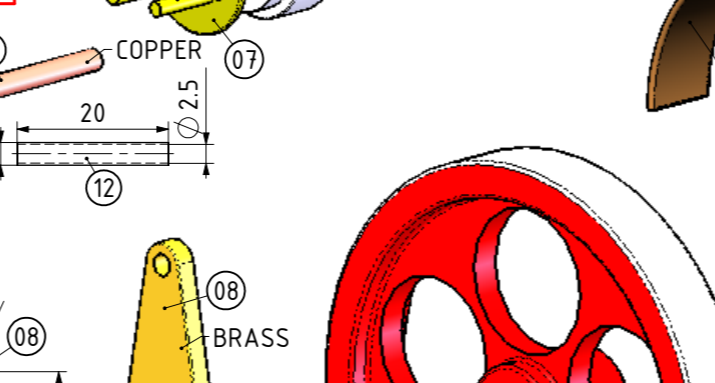
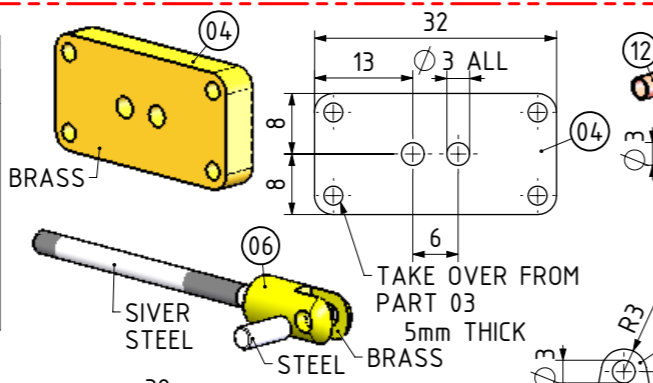
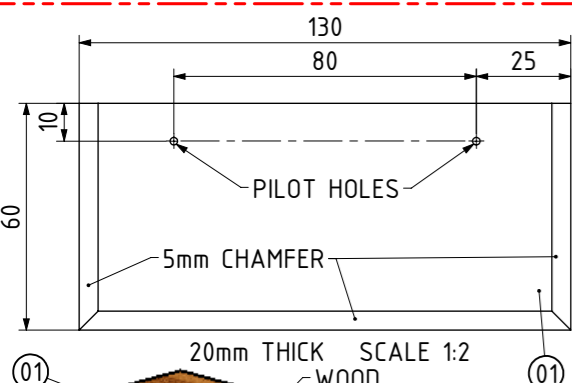
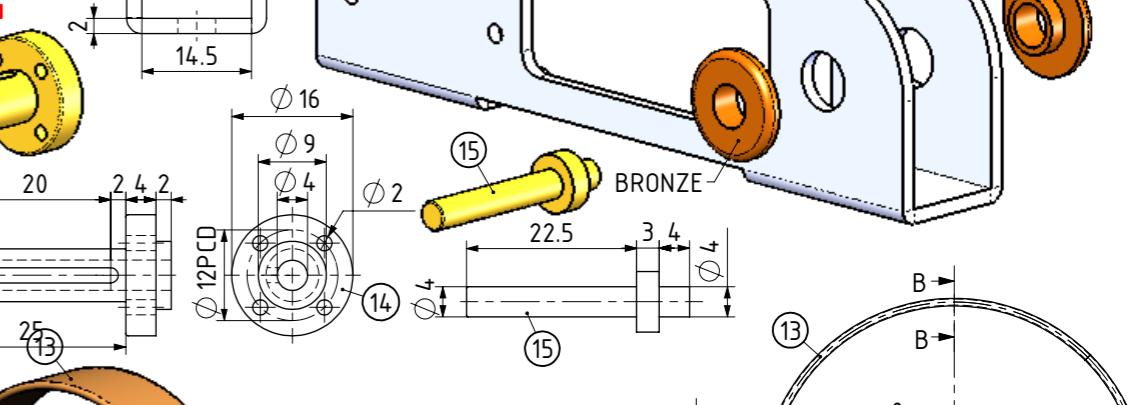
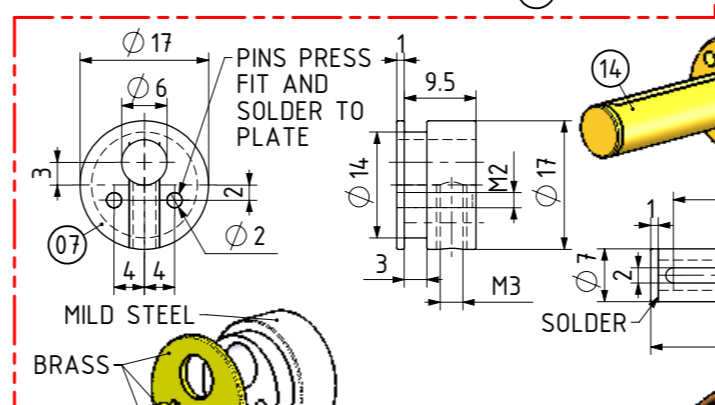
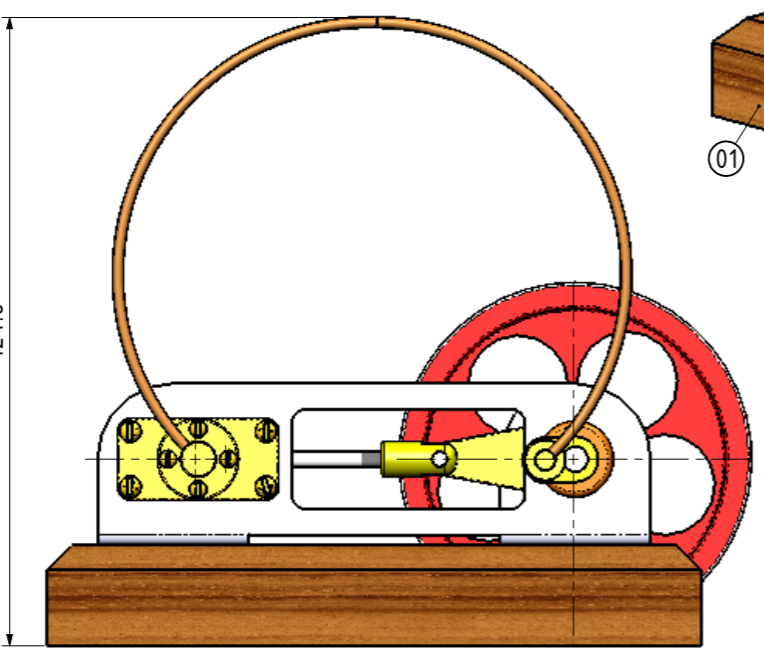
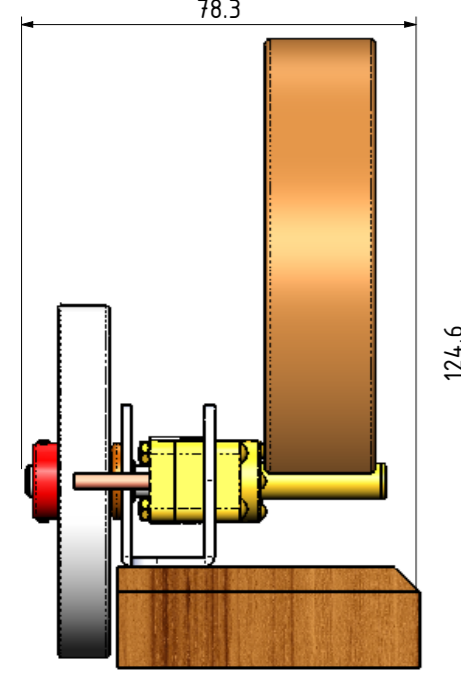
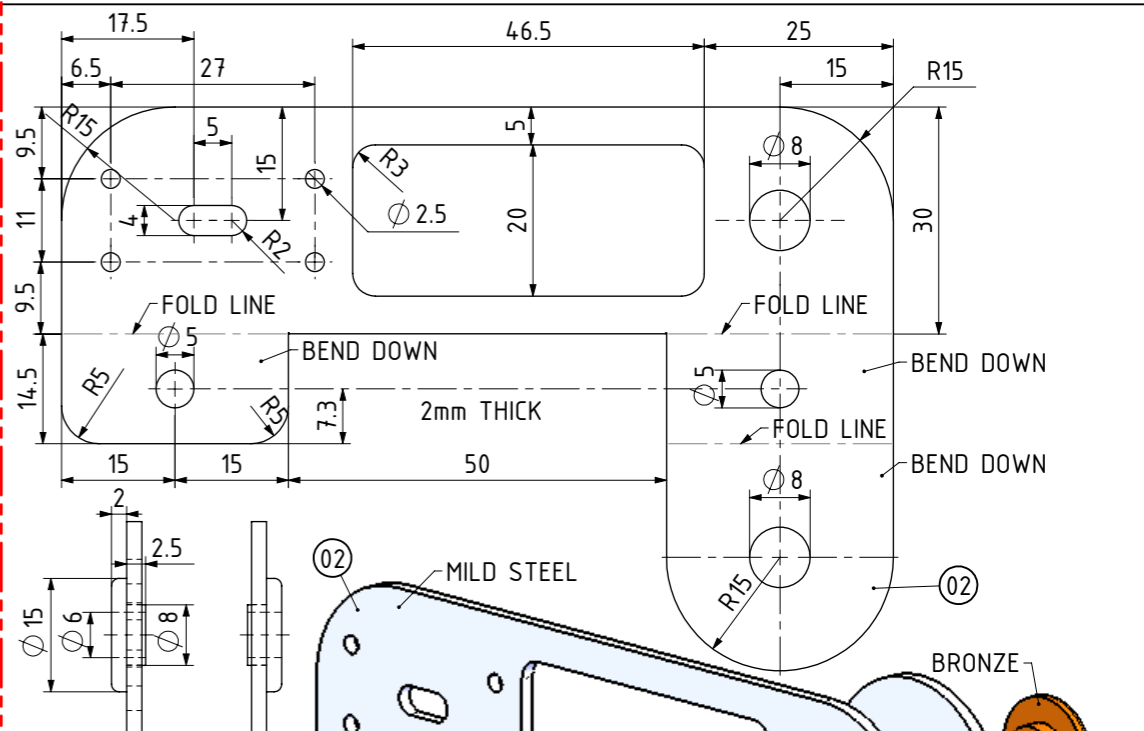
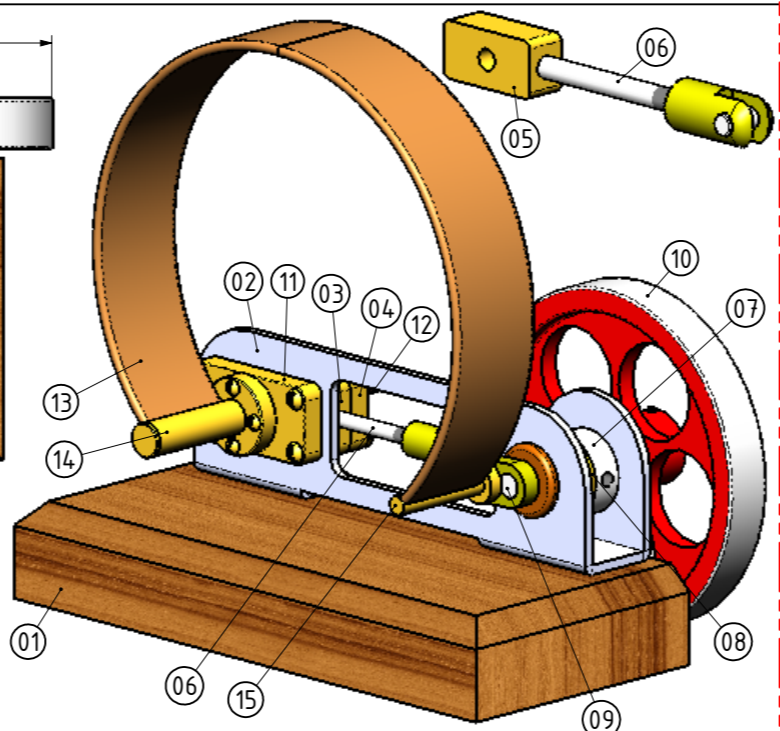
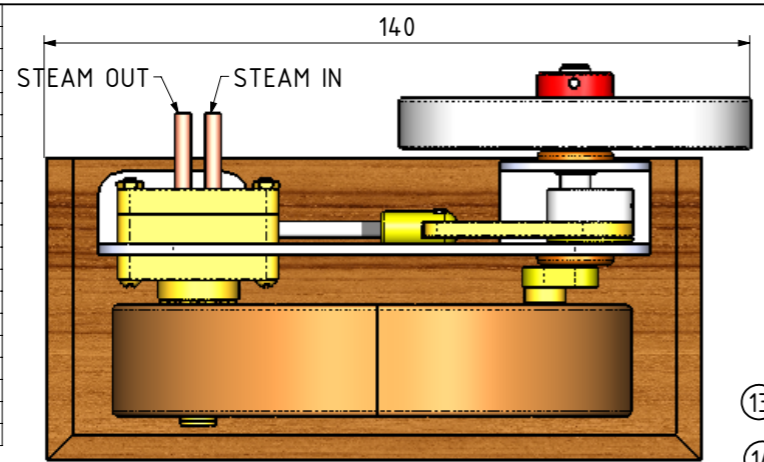


QTY.	PART NUMBER
1	BTSE-01-WOODEN BASE
1	BTSE-02-FRAME PLATE
1	BTSE-03-VALVE CHEST
1	BTSE-04-VALVE CHEST COVER
1	BTSE-05-VALVE
1	BTSE-06-VALVE ROD
1	BTSE-07-ECCENTRIC
1	BTSE-08-ECCENTRIC STRAP
1	BTSE-09-CRANK SHAFT
1	BTSE-10-FLYWHEEL
1	BTSE-11-PORT BLOCK
2	BTSE-12-STEAM PIPE
1	BTSE-13A-PISTON
1	BTSE-13B-PISTON
1	BTSE-14-PISTON IN-OUTLET PORT
1	BTSE-15-PISTON CRANK END
4	M2.5 NUT
4	M2.5x20 R-HEAD SCREW
4	M2x8 R-HEAD SCREW



TITLE EXPERIMENTAL MODEL STEAM ENGINE USING A BOURDON TUBE

DRAWING CONTENTS GENERAL ARRANGEMENT, ISOMETRIC VIEW, BILL OF MATERIAL, PARTS AND ASSEMBLIES

PROJECT No. JDW DRAUGHTING SERVICES
 J.A.M. DE WAAL, 12 BRIGHTWELL STREET PAPAOKURA 2110,
 NEW ZEALAND. PHONE: 0064 09 2988815. MOB: 0211791000
 E-MAIL: dewaal@xtra.co.nz.

PROJECTION SHEET: 01 OF 01
 DATE: JULY-2012
 MODEL SCALE: 1:1
 DWG SCALE: 1:1 @ A3 OR AS SHOWN
 Copyright © J.A.M. DE WAAL PAPAOKURA NZ
 A3/No: BTSE-01