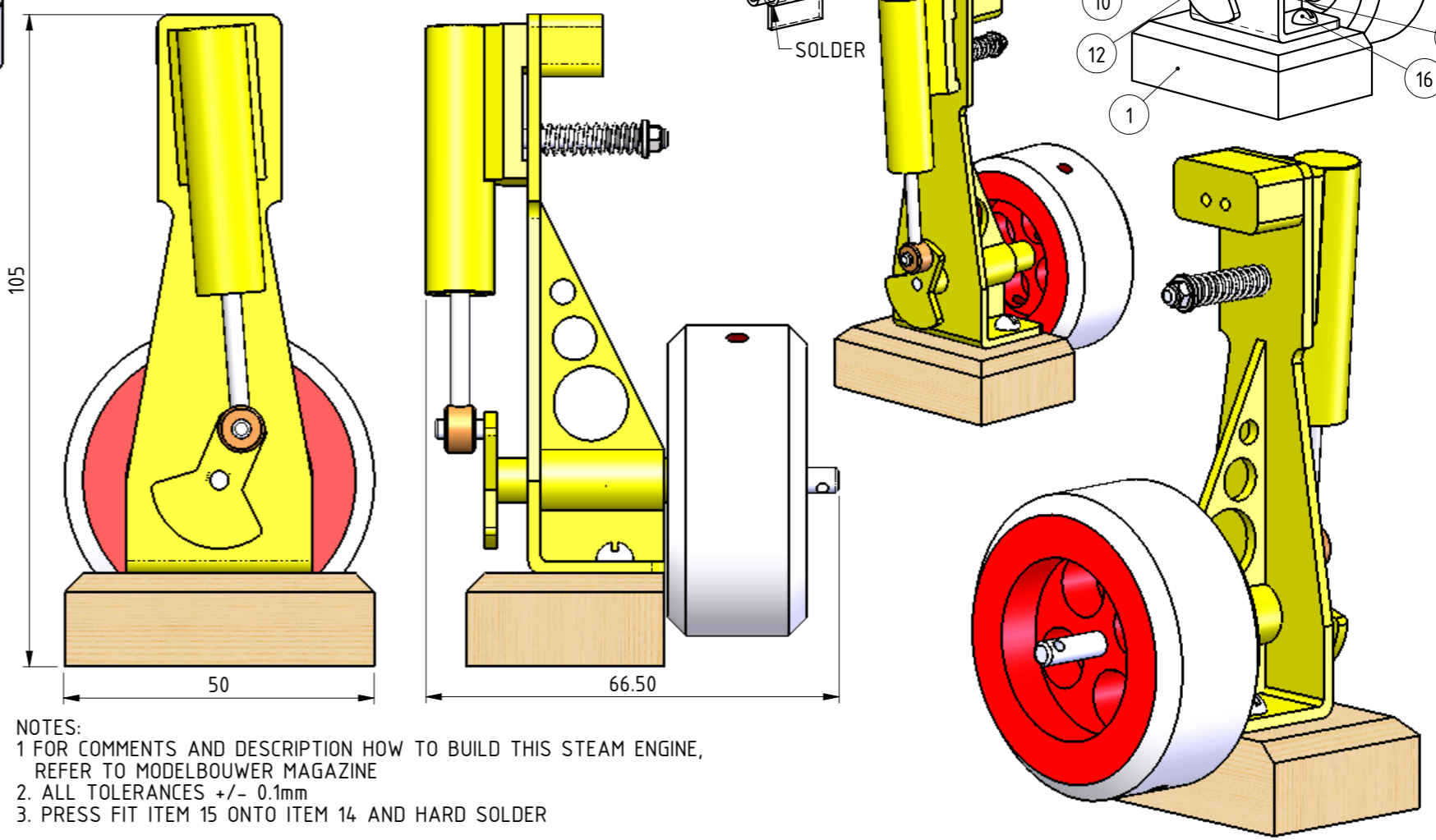
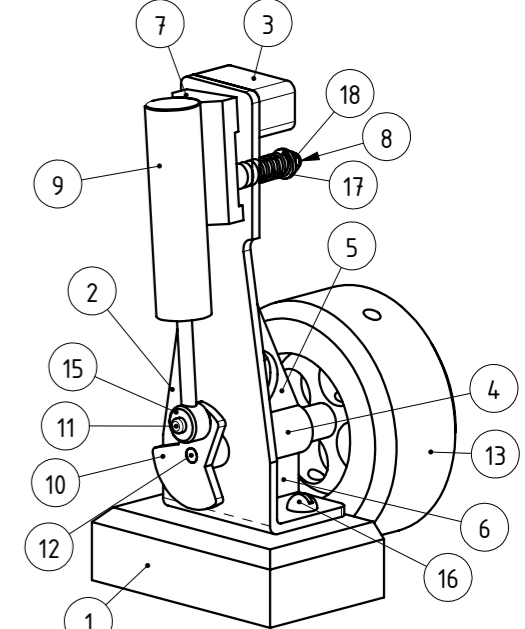


ITEM NO.	PART NUMBER	MATERIAL	QTY.
1	BASE	WOOD	1
2	BASE FRAME	BRASS	1
3	TOP BLOCK	BRASS	1
4	CRANK BEARING	BRASS	1
5	STIFFENING PLATE 1	BRASS	1
6	STIFFENING PLATE 2	BRASS	1
7	CYLINDER BLOCK	BRASS	1
8	CYLINDER BLOCK STUD	BRASS	1
9	CYLINDER	BRASS	1
10	CRANKPLATE	BRASS	1
11	CRANKPIN	SILVER STL	1
12	CRANK SHAFT	SILVER STL	1
13	FLYWHEEL	MILD STEEL	1
14	PISTON	BRASS	1
15	BIG END	BRONZE	1
16	WOOD SCREW	STEEL	2
17	SPRING	SPRING STL	1
18	NUT	MILD STEEL	1



NOTES:
 1 FOR COMMENTS AND DESCRIPTION HOW TO BUILD THIS STEAM ENGINE, REFER TO MODELBOUWER MAGAZINE
 2. ALL TOLERANCES +/- 0.1mm
 3. PRESS FIT ITEM 15 ONTO ITEM 14 AND HARD SOLDER

TITLE
VERTICAL SINGLE OSCILLATING STEAM ENGINE
GENERAL ARRANGEMENT & PARTS

A	ISSUED TO NVM	11/2006
REV	DESCRIPTION	DATE

DRAWN BY J.A.M. DE WAAL	PROJECTION 	DRAWING NUMBER STM-001
DATE APRIL 2006	SCALE AS SHOWN	CAD FILE REV A