

QTY.	PART NUMBER
1	3SISTER-01-BASE STAND
3	3SISTER-02-MAIN FRAME
1	3SISTER-03-MAIN BEARING PLATE
1	3SISTER-04-CRANK SHAFT
3	3SISTER-05-CYLINDER
1	3SISTER-06-PISTON TYPE-1
2	3SISTER-07-PISTON TYPE-2
1	3SISTER-08-FLYWHEEL
3	3SISTER-09-CYLINDER RETAINING SCREW
3	3SISTER-10-SPRING
5	3SISTER-11-HOSE CONNECTOR
1	3SISTER-12-T-HOSE CONNECTOR
2	3SISTER-M3x4 GRUB SCREW
3	3SISTER-M6 NUT
6	3SISTER-M6 WASHER
5	3SISTER-M6x10 COUNTERSINK SCREW
2	3SISTER-13-COPPER TUBE-1
1	3SISTER-14-COPPER TUBE-2

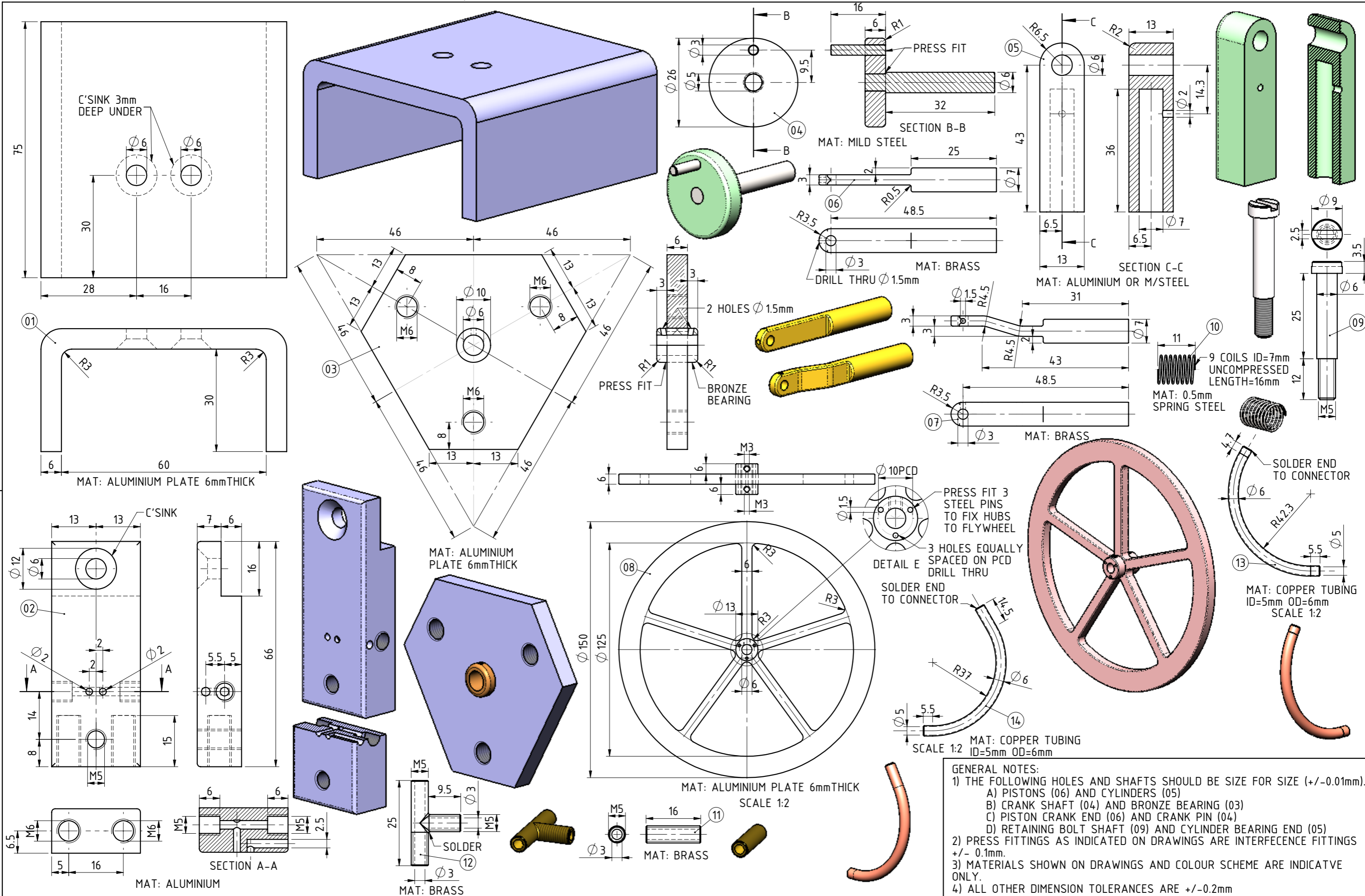
DRIE CILINDER OSCILLERENDE STOOMMACHINE GENOEMD "DE DRIE ZUSTERS (ALGEMEEN OVERZICHT)

FOUND THIS PROJECT ON THE FOLLOWING WEB SITE: [HTTP://NPMCCABE.TRIPOD.CPM/3SISTERS.HTM](http://npmccabe.tripod.cpm/3sisters.htm)

TITLE	TRIPLE CYLINDER OSCILLATING STEAM ENGINE NAMED "THE 3 SISTERS"		
A3	GENERAL ARRANGEMENT		

ISSUED TO	NVM
DESCRIPTION	
DATE	

DRAWN BY	J.A.M. DE WAAL	PROJECTION		DRAWING NUMBER	3SISTERS	SHEET	00
DATE	JULY 2009	SCALE	1:1 or AS SHOWN	CAD FILE		REV	A



GENERAL NOTES:
 1) THE FOLLOWING HOLES AND SHAFTS SHOULD BE SIZE FOR SIZE (+/-0.01mm).
 A) PISTONS (06) AND CYLINDERS (05)
 B) CRANK SHAFT (04) AND BRONZE BEARING (03)
 C) PISTON CRANK END (06) AND CRANK PIN (04)
 D) RETAINING BOLT SHAFT (09) AND CYLINDER BEARING END (05)
 2) PRESS FITTINGS AS INDICATED ON DRAWINGS ARE INTERFERENCE FITTINGS +/- 0.1mm.
 3) MATERIALS SHOWN ON DRAWINGS AND COLOUR SCHEME ARE INDICATIVE ONLY.
 4) ALL OTHER DIMENSION TOLERANCES ARE +/-0.2mm

DRIE CILINDER OSCILLERENDE STOOMMACHINE GENOEMD "DE DRIE ZUSTERS (ONDERDELEN)		FOUND THIS PROJECT ON THE FOLLOWING WEB SITE: HTTP://NPMCCABE.TRIPOD.CPM/3SISTERS.HTM	
TITLE	TRIPLE CYLINDER OSCILLATING STEAM ENGINE NAMED "THE 3 SISTERS"		
A3	COMPONENTS/PARTS		
DATE	ISSUED TO	DATE	DESCRIPTION
JULY 2009	NVM		
DRAWN BY	PROJECTION		DRAWING NUMBER
J.A.M. DE WAAL	AS SHOWN		3SISTERS 01
DATE	SCALE	CAD FILE	REV
JULY 2009	1:1 or AS SHOWN		A