

QTY.	PART NUMBER
1	30DOSTE--01-BASE PLATE
1	30DOSTE--02-MAIN FRAME
1	30DOSTE--03-CYLINDER
1	30DOSTE--04-PISTON
1	30DOSTE--05-CRANK SHAFT
1	30DOSTE--06-CRANK WHEEL
1	30DOSTE--07-CRANK PIN
1	30DOSTE--08-FLYWHEEL
1	30DOSTE--09-AIR HOSE COUPLING
1	30DOSTE--10-SPRING
1	30DOSTE--M2.5x6 GRUB SCREW
2	30DOSTE--M6 NUT
4	30DOSTE--M6 WASHER
2	30DOSTE--M6x10 COUNTERSINK SCREW
1	30DOSTE--M6x40 ALLEN KEY

30 GRADEN EEN CILINDER OSCILLERENDE STOOMMACHINE

THIS ENGINE WAS DESIGNED BY PROF N McCABE COUNTY COLLEGE OF MORRIS MEC-117, AMERICA DATE 25-OCT-2005

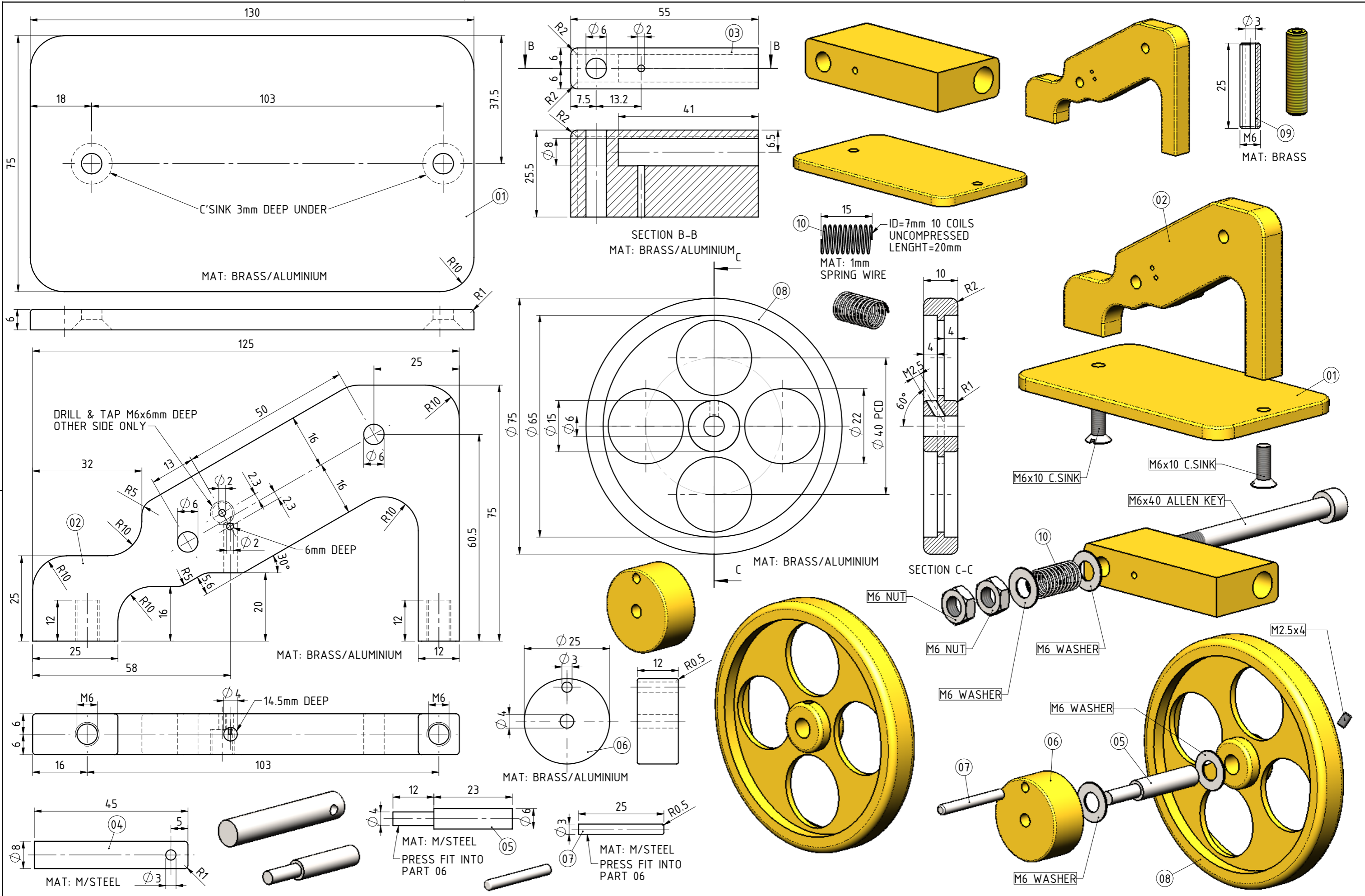
A3	TITLE	30DEG SINGLE CYLINDER OSCILLATING STEAM ENGINE
	REV	DESCRIPTION
	A	ISSUED TO NVM
	REV	DESCRIPTION
	DATE	

JDW DRAUGHTING SERVICES
12 BRIGHTWELL STREET
PAKAKURA NEW ZEALAND
TEL/FAX 0064-09-2988815
E-MAIL:dewaal@xtra.co.nz

DRAWN BY
J.A.M. DE WAAL
DATE
JUNE 2009

PROJECTION
DRAWING NUMBER
30DEG
SCALE 1:1 or AS SHOWN

SHEET
00
REV
A



30 GRADEN EEN CILINDER OSCILLERENDE STOOMMACHINE

THIS ENGINE WAS DESIGNED BY PROF N McCABE COUNTY COLLEGE OF MORRIS MEC-117, AMAREICA DATE 25-OCT-2005

A3	TITLE		30DEG SINGLE CYLINDER OSCILLATING STEAM ENGINE	
	ISSUED TO	NVM	DATE	
REV	DESCRIPTION	DATE		

DRAWN BY		J.A.M. DE WAAL	PROJECTION	AS SHOWN	DRAWING NUMBER	30DEG	SHEET	01
DATE		JUNE 2009	SCALE	1:1 or AS SHOWN	CAD FILE		REV	A
E-MAIL:		dewaal@xtra.co.nz						