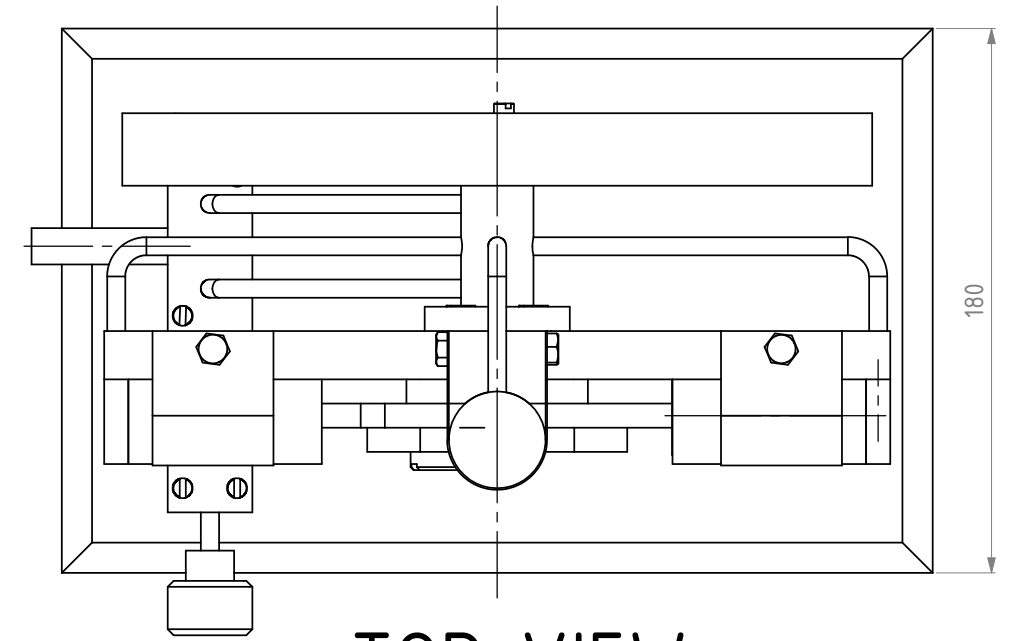
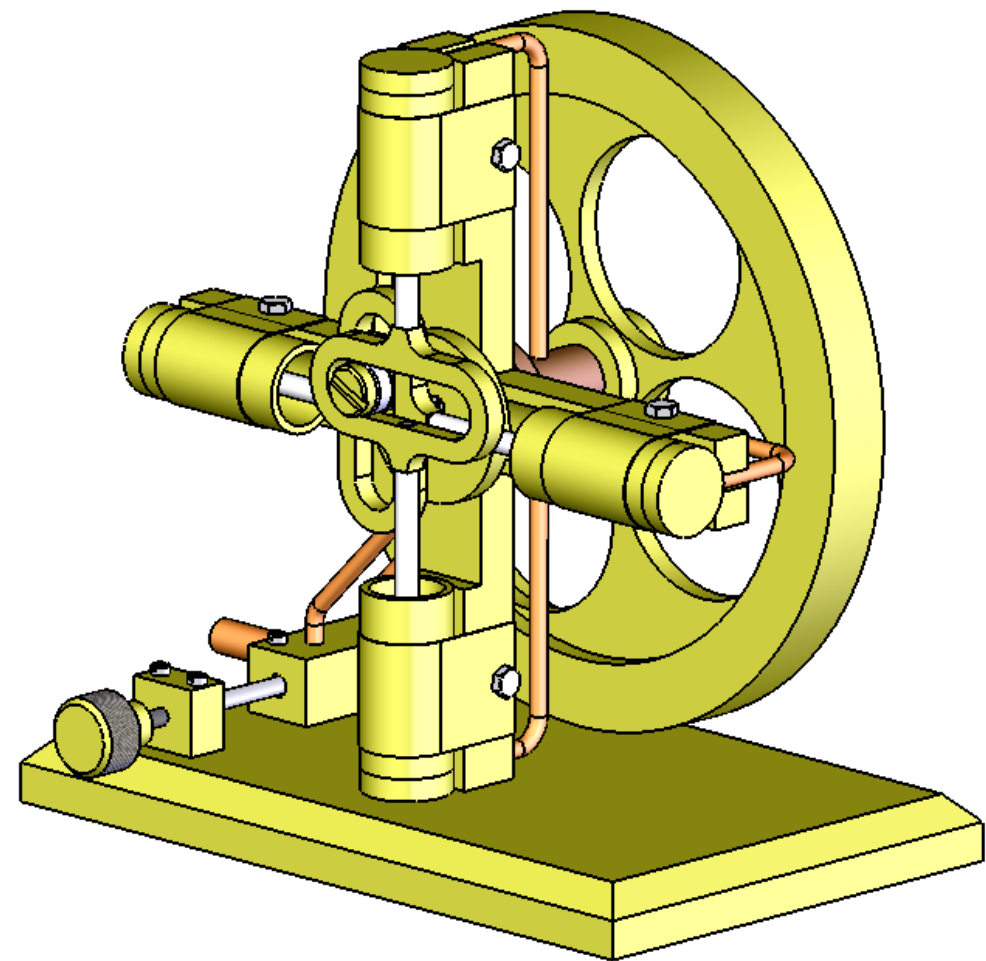
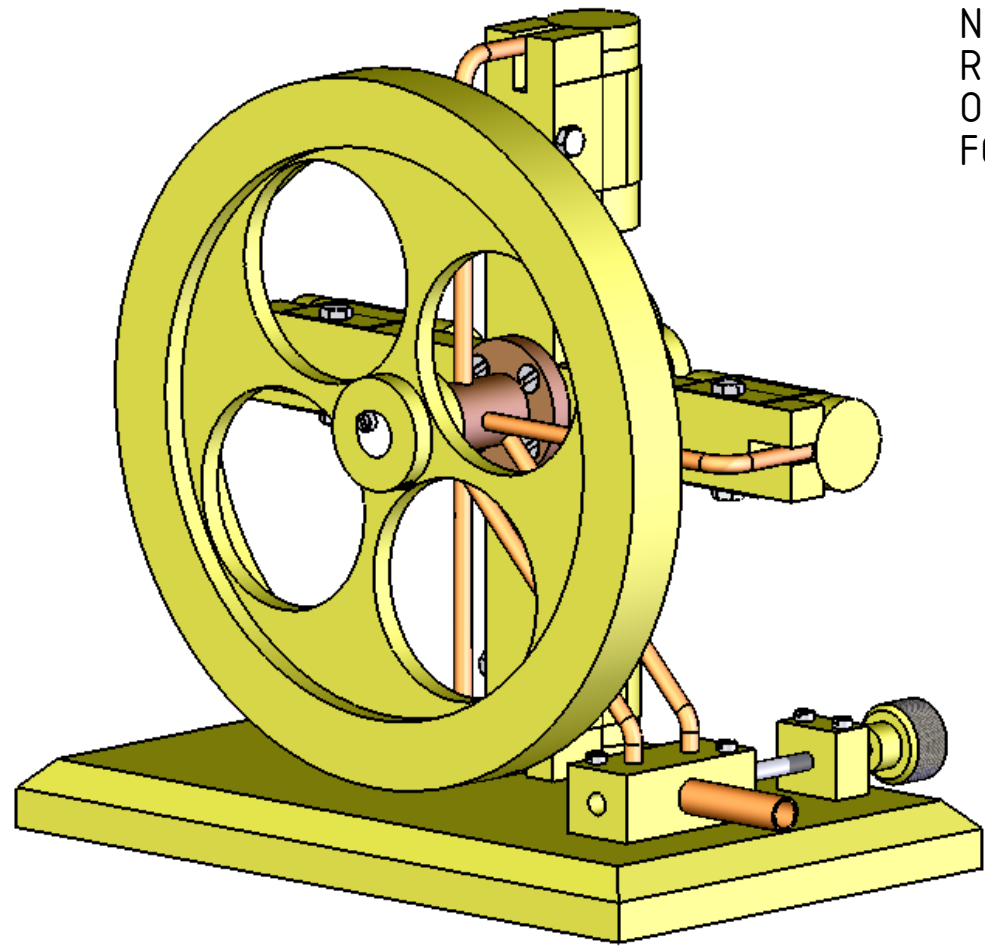
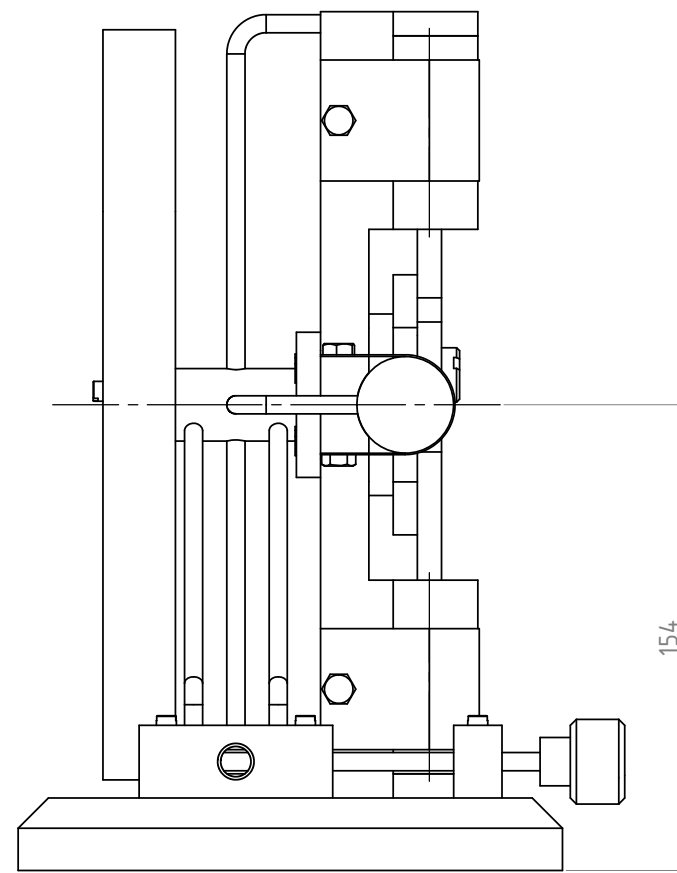


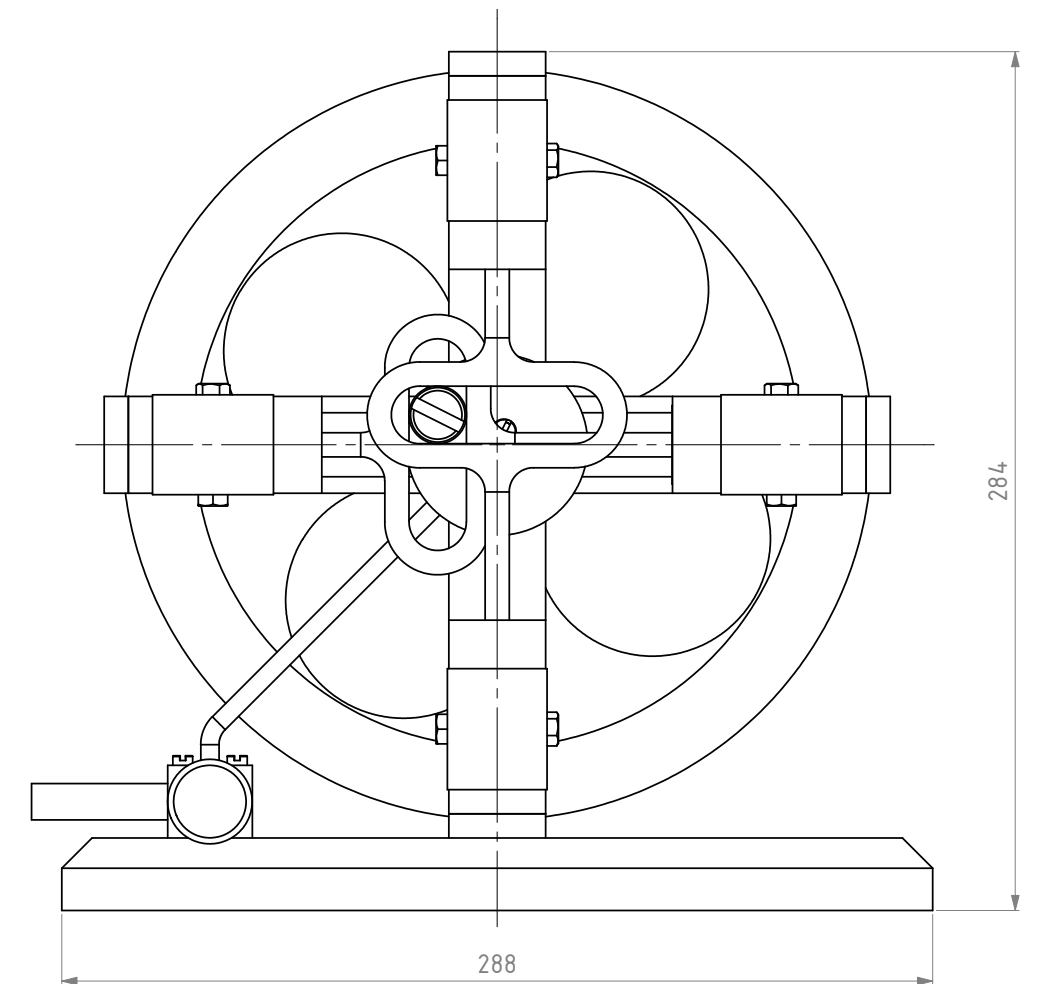
NOTE:  
REFER TO MODELBOUWER MAGAZINE(S)  
OCTOBER AND NOVEMBER 1987  
FOR DESCRIPTION



TOP VIEW




SIDE VIEW

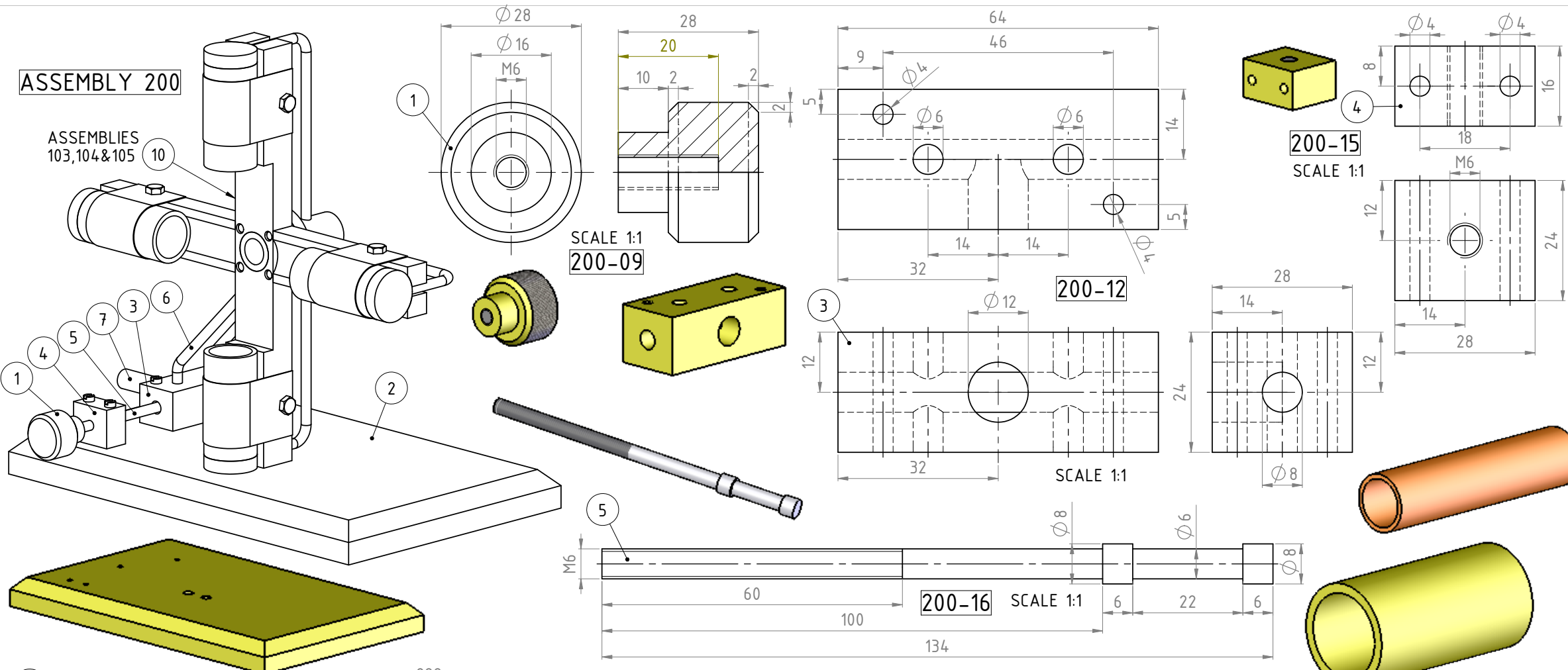


FRONT VIEW

TITLE  
FOUR CYLINDER STEAM ENGINE  
GENERAL ARRANGEMENT

		JDW DRAUGHTING SERVICES 12 BRIGHTWELL STREET PAPAKURA NEW ZEALAND TEL/FAX 0064-09-2988815 E-MAIL:dewaal@xtra.co.nz		DRAWN BY J.A.M. DE WAAL DATE DECEMBER-2006	PROJECTION  SCALE AS SHOWN	REMOVE ALL BURRS AND SHARP EDGES DRAWING NUMBER 001 CAD FILE DO NOT SCALE OF DRAWING	REV A
A	ISSUED TO NVM	02/2007					
REV	DESCRIPTION	DATE					

**ASSEMBLY 200**



ITEM NO.	QTY.	ASSEMBLY 200	MATERIAL
1	1	09-REVERSING VALVE KNOB	BRASS
2	1	10-BASE PLATE	BRASS
3	1	12-REVERSING VALVE HOUSING	BRASS
4	1	15-SPINDLE BRACKET	BRASS
5	1	16-REVERSING VALVE	S/STEEL
6	2	20-EXHAUST PIPE	COPPER
7	1	22-FRESH STEAM INLET PIPE	COPPER
8	2	M8x30	BRASS
9	4	M4x30 CYLINDERHEAD SCREW	BRASS
10	1	105-BEAM ASSEMBLY	
	1	103-HORIZONTAL BEAM ASSEMBLY	
	2	02A-CYLINDER	BRASS
	2	02B-CYLINDER TOP	BRASS
	1	05-HORIZONTAL BEAM	BRASS
	2	8A-CYLINDER FASTENER-1	BRASS
	4	M6x8 HEX BOLT	BRASS
	1	104-VERTICAL BEAM ASSEMBLY	
	2	02A-CYLINDER	BRASS
	2	02B-CYLINDER TOP	BRASS
	1	06-VERTICAL BEAM	BRASS
	2	8B-CYLINDER FASTENER-2	BRASS
	4	M6x8 HEX BOLT	BRASS
	1	13-CRANK SHAFT BEARING	BRONZE
	2	21A-VERTICAL CYLINDER INLET PIPE	COPPER
	2	21B-HORIZONTAL CYLINDER INLET PIPE	COPPER
	4	M6x24 COUNTERSINK SCREW	BRASS

SCALE 1:1  
200-09

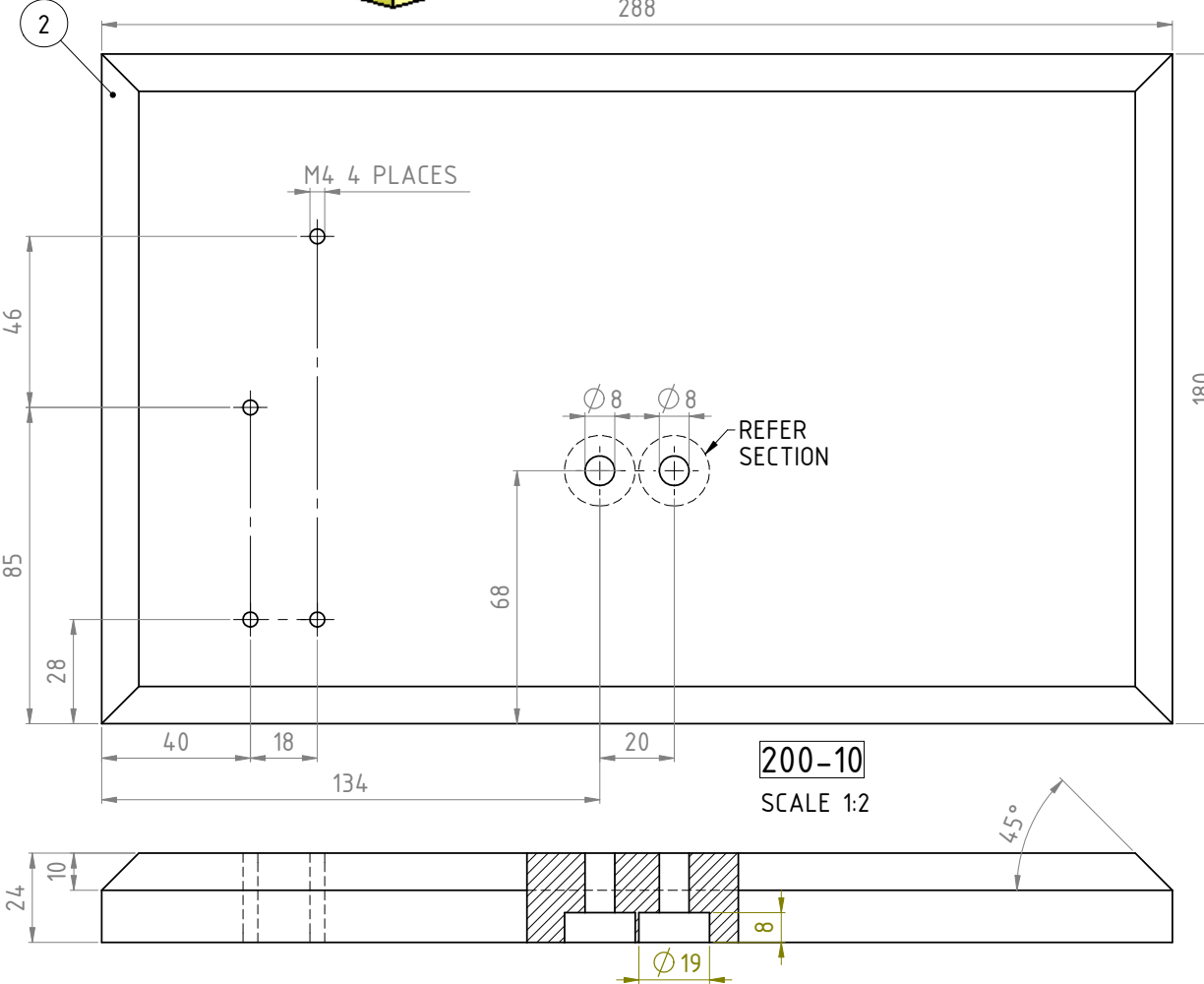
200-12

200-15  
SCALE 1:1

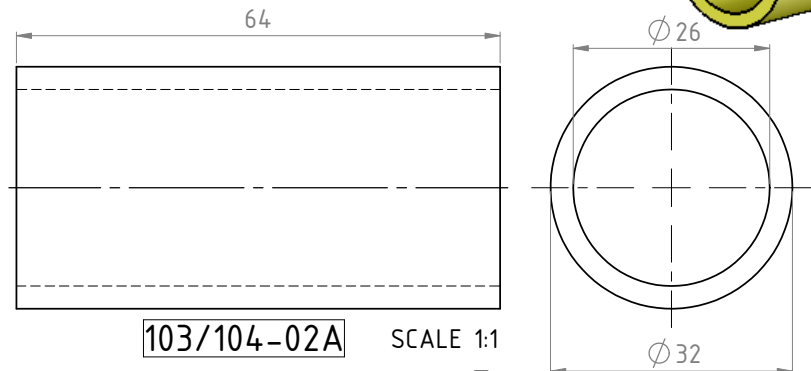
SCALE 1:1

200-16  
SCALE 1:1

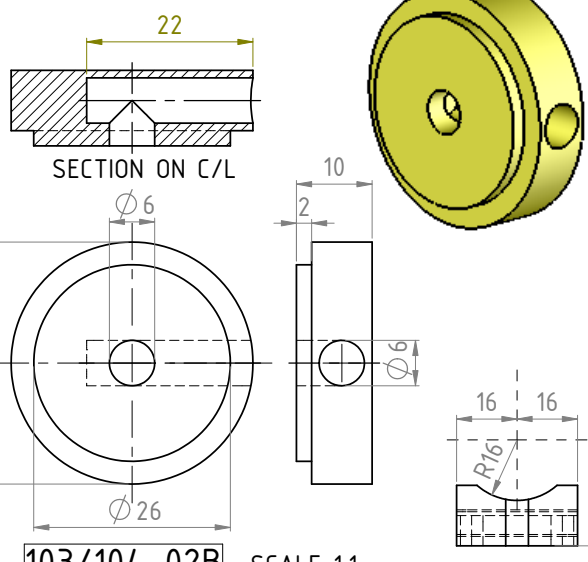
200-22  
SCALE 1:1



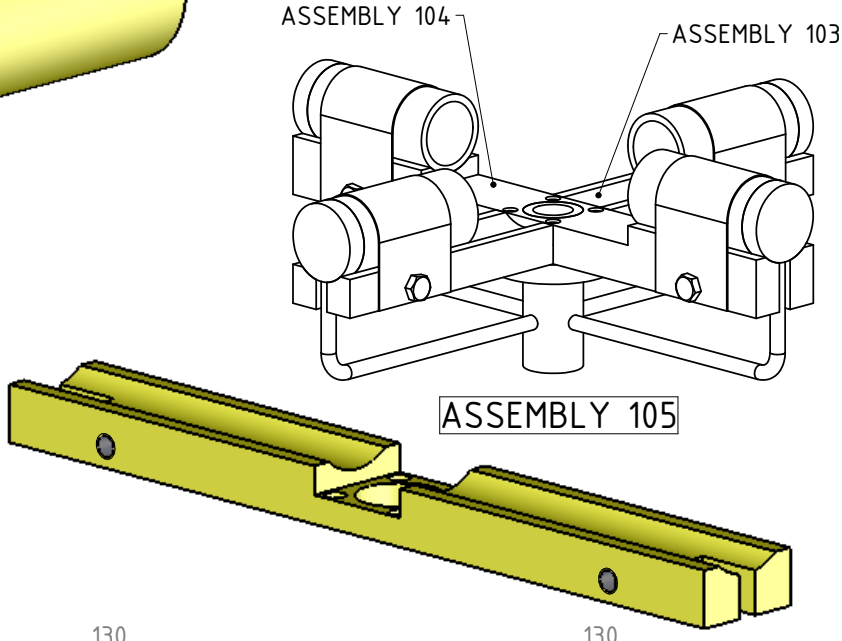
200-10  
SCALE 1:2



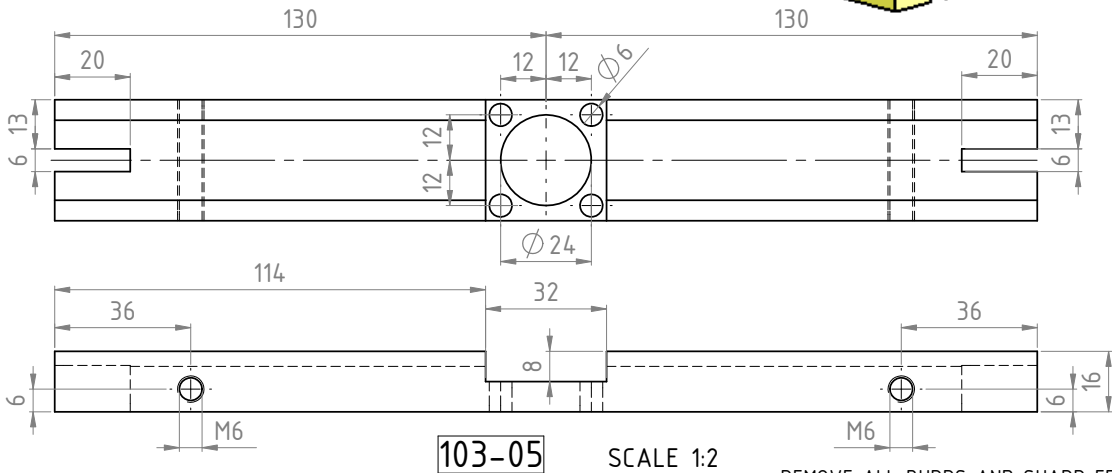
103/104-02A  
SCALE 1:1



103/104-02B  
SCALE 1:1



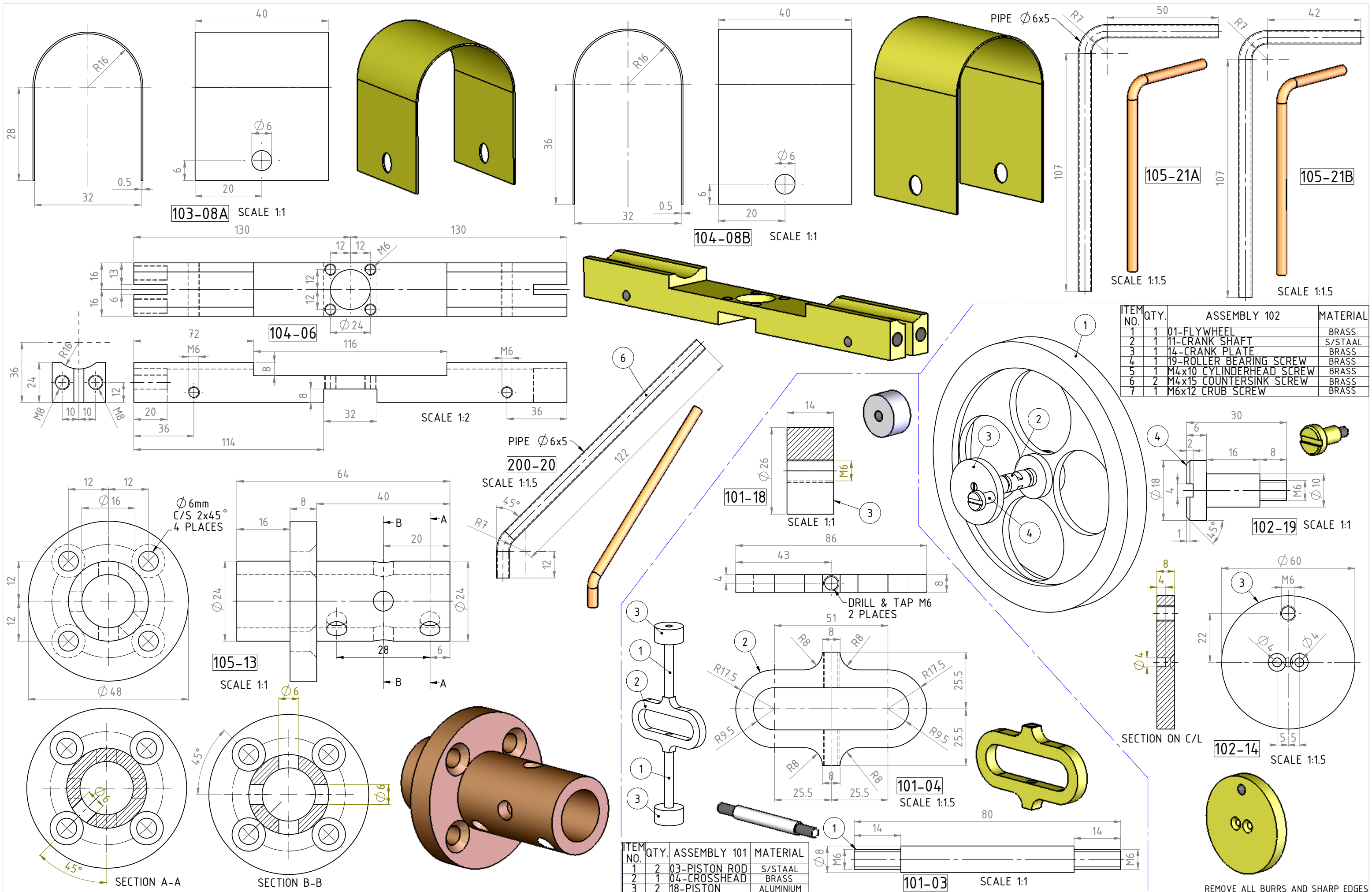
ASSEMBLY 105



103-05  
SCALE 1:2

**FOUR CYLINDER STEAM ENGINE ASSEMBLIES AND PARTS**

JDW DRAUGHTING SERVICES 12 BRIGHTWELL STREET PAPAURA NEW ZEALAND TEL/FAX 0064-09-2988815 E-MAIL:dewaal@xtra.co.nz		DRAWN BY <b>J.A.M. DE WAAL</b>	PROJECTION 	DRAWING NUMBER <b>002</b>
A ISSUED TO NVM REV DESCRIPTION DATE	02/2007 DATE	DECEMBER-2006	SCALE AS SHOWN	CAD FILE REV <b>A</b>
REMOVE ALL BURRS AND SHARP EDGES DO NOT SCALE OF DRAWING				



ITEM NO.	QTY.	ASSEMBLY 102	MATERIAL
1	1	01-FLYWHEEL	BRASS
2	1	11-CRANK SHAFT	S/STAAL
3	1	14-CRANK PLATE	BRASS
4	1	19-ROLLER BEARING SCREW	BRASS
5	1	M4x10 CYLINDERHEAD SCREW	BRASS
6	2	M4x15 COUNTERSINK SCREW	BRASS
7	1	M6x12 GRUB SCREW	BRASS

ITEM NO.	QTY.	ASSEMBLY 101	MATERIAL
1	2	03-PISTON ROD	S/STAAL
2	1	04-CROSSHEAD	BRASS
3	2	18-PISTON	ALUMINIUM

TITLE  
**FOUR CYLINDER STEAM ENGINE ASSEMBLIES AND PARTS**

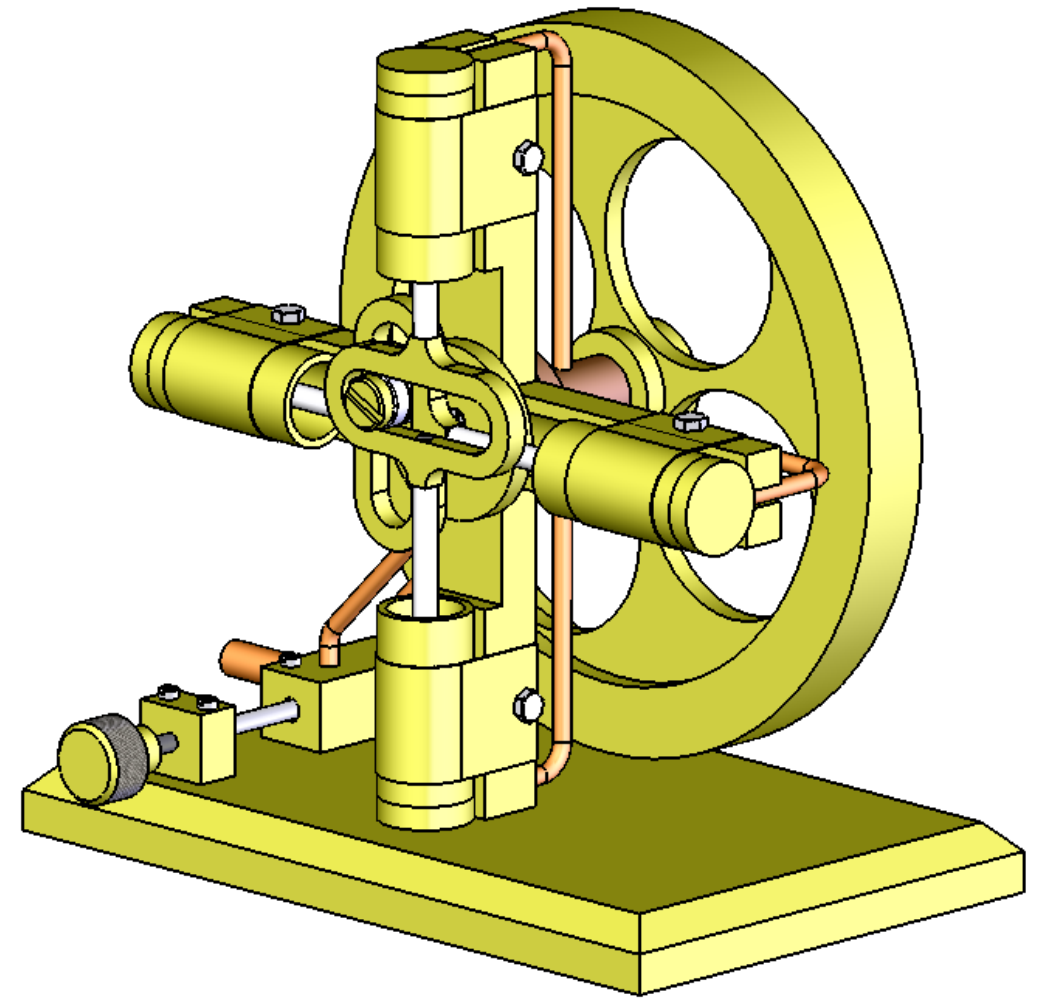
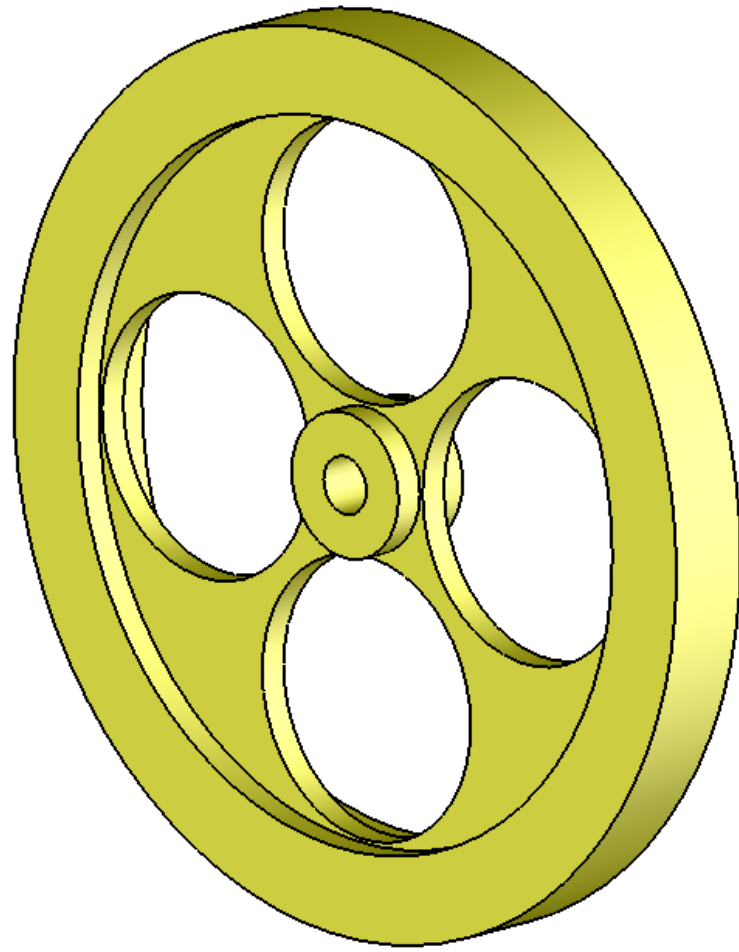
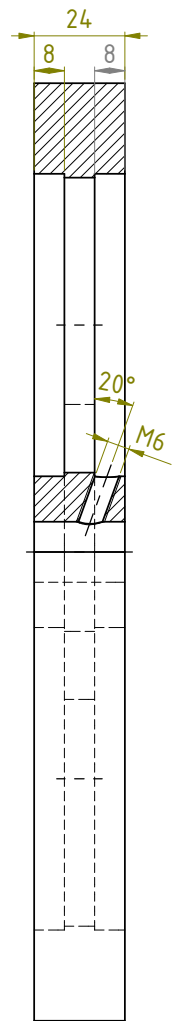
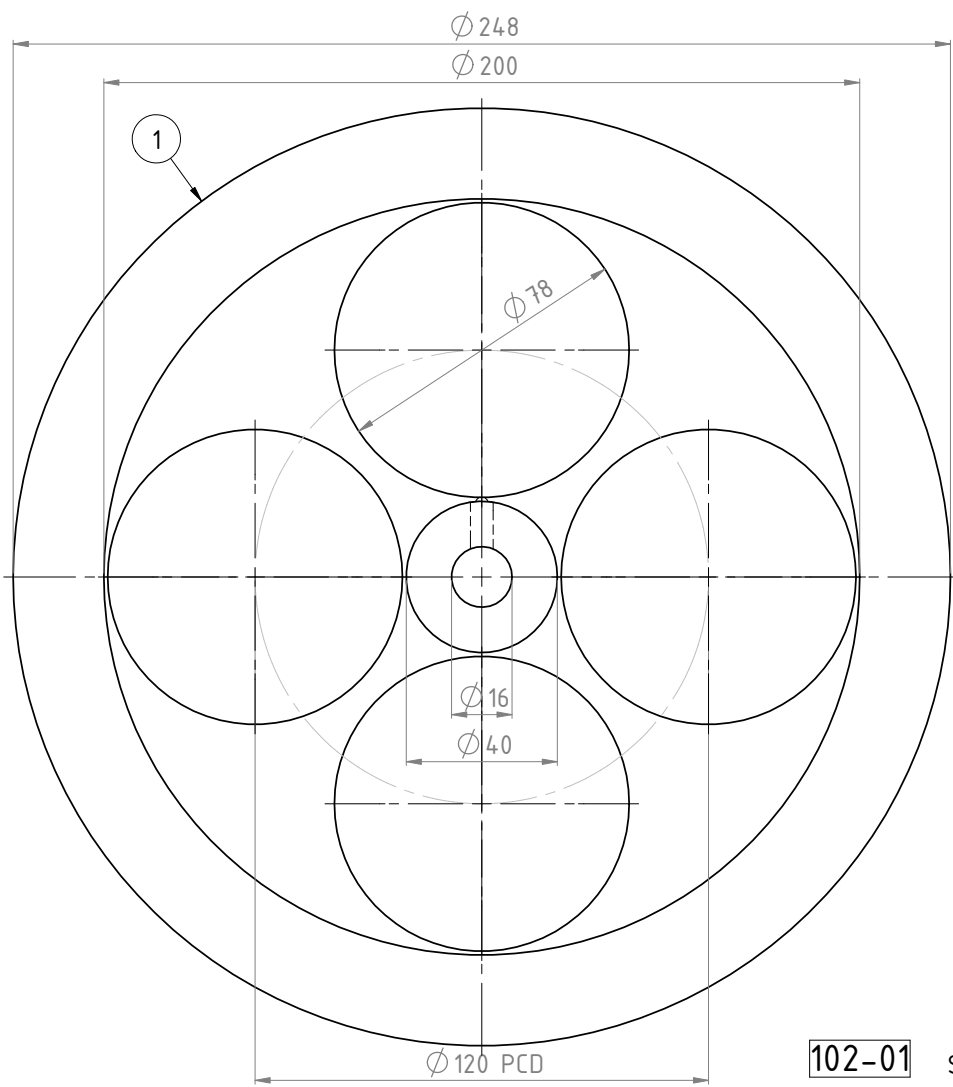
JDW DRAUGHTING SERVICES  
 12 BRIGHTWELL STREET  
 PAKAPURA NEW ZEALAND  
 TEL/FAX 0064-09-2988815  
 E-MAIL:dewaal@xtra.co.nz

DRAWN BY  
**J.A.M. DE WAAL**  
 DATE  
 DECEMBER-2006

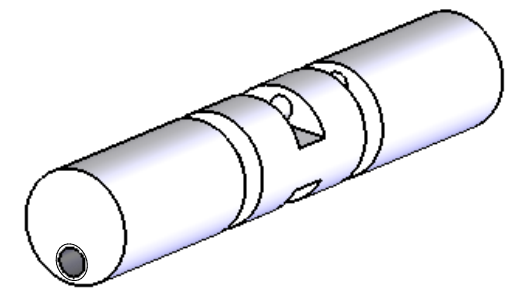
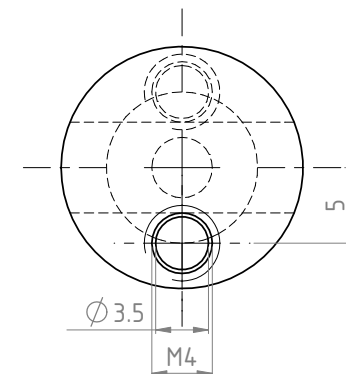
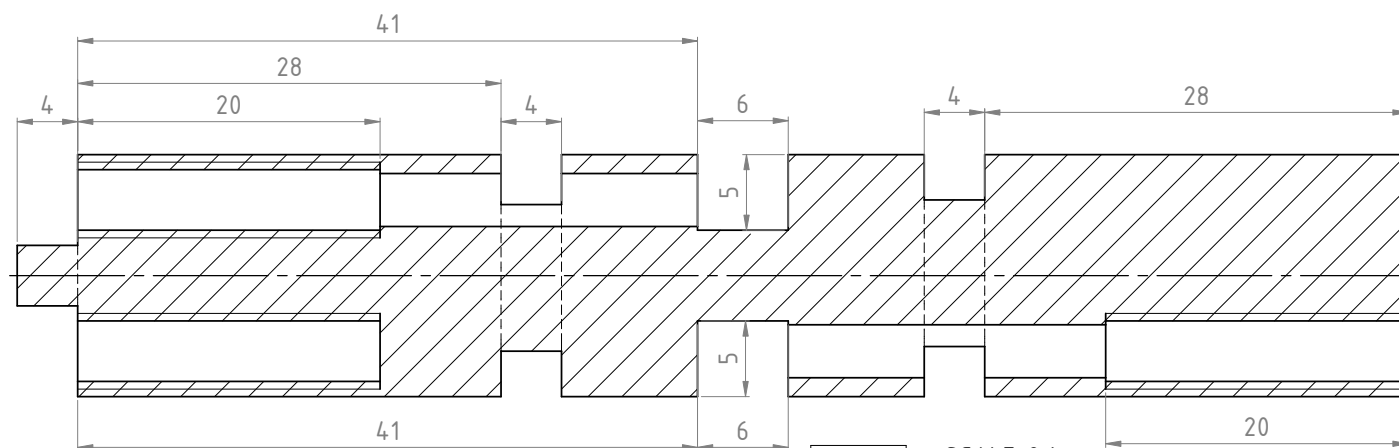
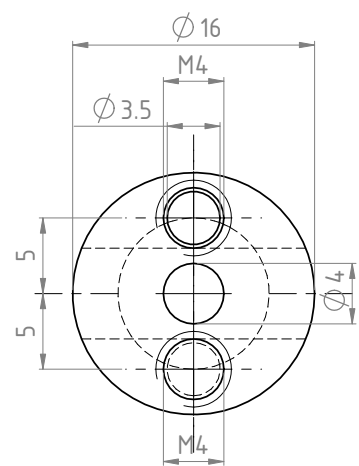
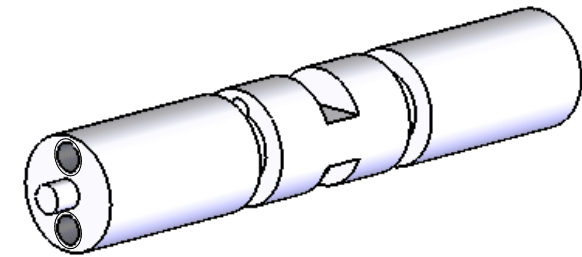
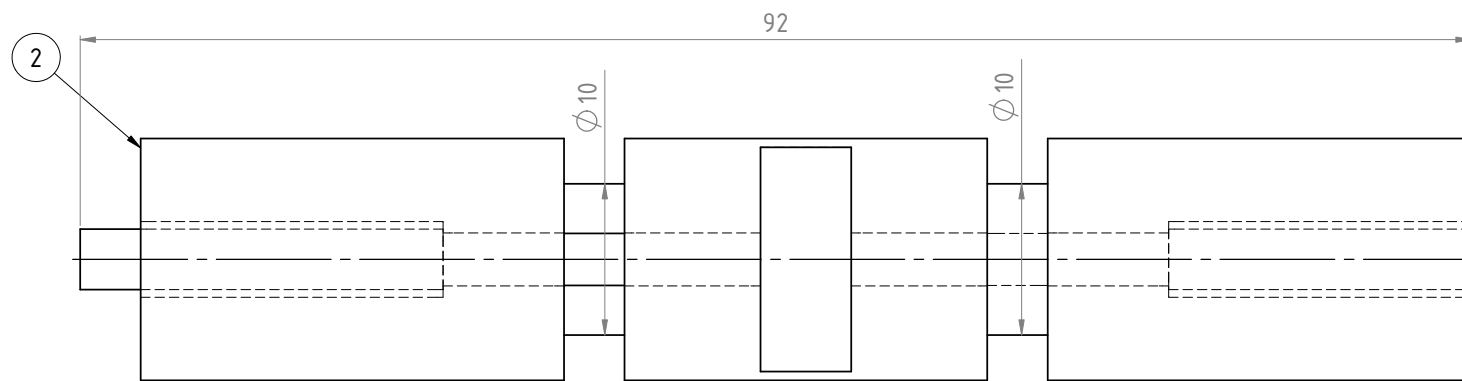
PROJECTION  
  
 SCALE  
 AS SHOWN

DRAWING NUMBER  
**003**  
 CAD FILE  
 REV **A**  
 DO NOT SCALE OF DRAWING

REMOVE ALL BURRS AND SHARP EDGES



102-01 SCALE 1:1.5



SECTION ON C/L 102-11 SCALE 2:1

TITLE  
FOUR CYLINDER STEAM ENGINE  
ASSEMBLIES AND PARTS

REV	DESCRIPTION	DATE
A	ISSUED TO NVM	02/2007

JDW DRAUGHTING SERVICES  
12 BRIGHTWELL STREET  
PAPAKURA NEW ZEALAND  
TEL/FAX 0064-09-2988815  
E-MAIL:dewaal@xtra.co.nz

DRAWN BY  
J.A.M. DE WAAL  
DATE  
DECEMBER-2006

REMOVE ALL BURRS AND SHARP EDGES  
PROJECTION  
DRAWING NUMBER  
004  
SCALE  
AS SHOWN  
CAD FILE  
REV  
A  
DO NOT SCALE OF DRAWING