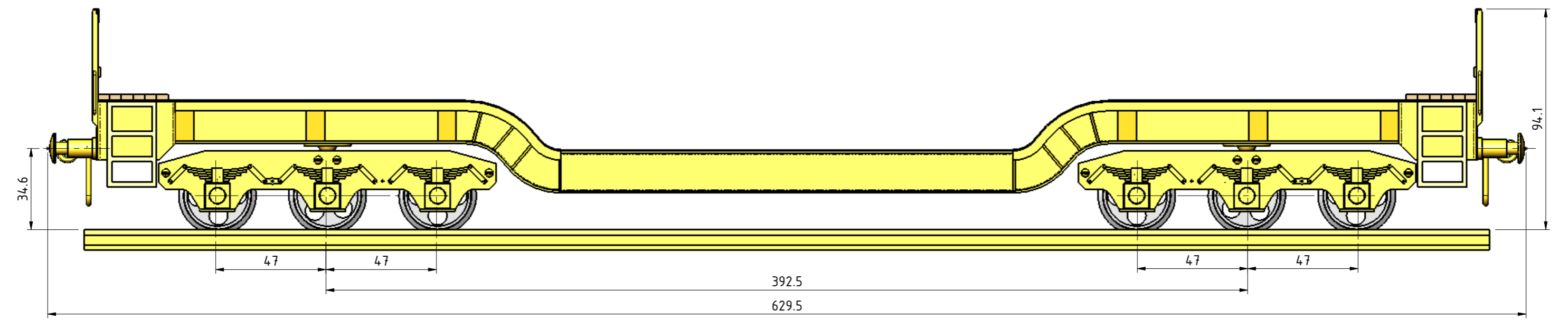
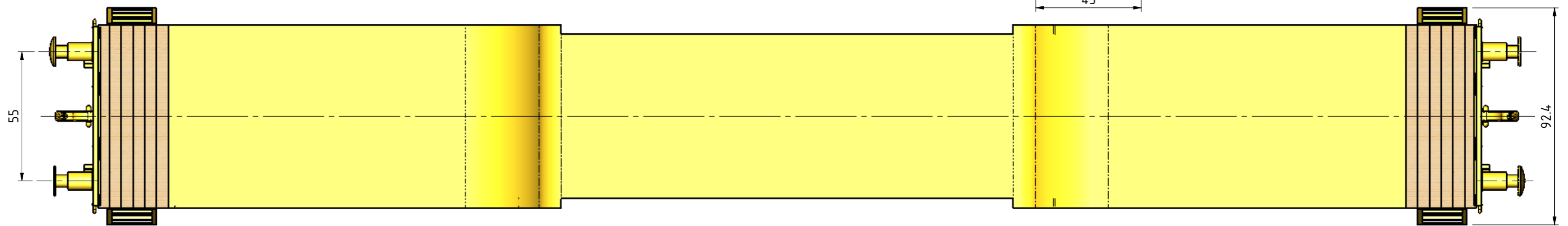


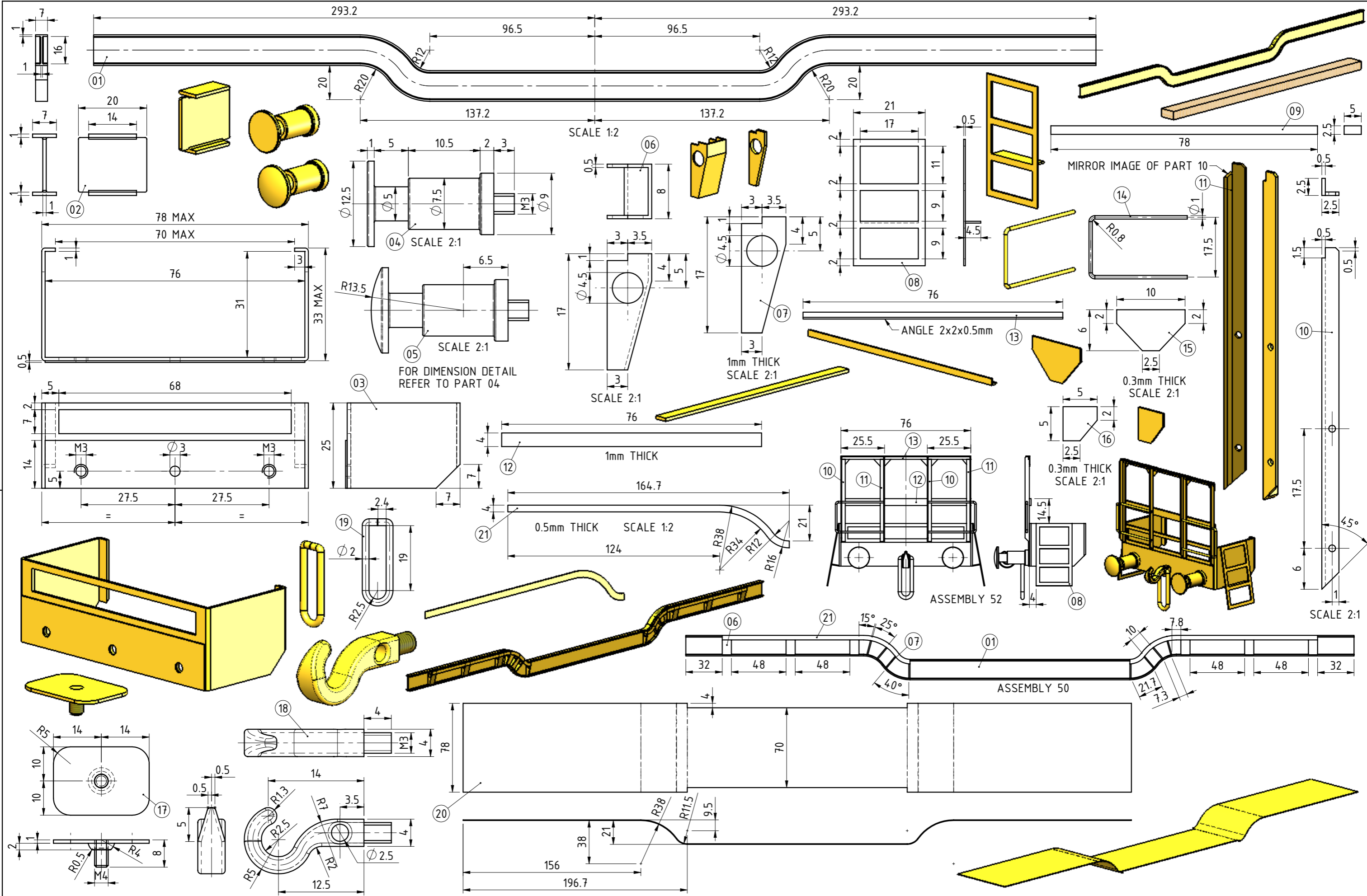
QTY.	PART NUMBER
4	WELL-01-BASE BEAM
27	WELL-02-CROSS BEAM
2	WELL-03-BUFFER BEAM
2	WELL-04-RIGHT HAND BUFFER
2	WELL-05-LEFT HAND BUFFER
12	WELL-06-STIFFENING BRACKET
16	WELL-07-STIFFENING PLATE
4	WELL-08-LADDER
12	WELL-09-WOODEN PLANK
4	WELL-10-LEFT HAND CENTER SUPPORT HAND RAIL
4	WELL-11-RIGHT HAND CENTER SUPPORT HAND RAIL
2	WELL-12-TOE KICK
2	WELL-13-TOP HAND RAIL
4	WELL-14-HANDLE
4	WELL-15-CENTER STIFFENING PLATE
4	WELL-16-CORNER STIFFENING PLATE
2	WELL-17-BOGIE PIVOT PLATE
2	WELL-18-HOOK
2	WELL-19-SHACKLE
1	WELL-20-TOP DECK PLATE
4	WELL-21-SIDE COVER
6	WELL-22-M3 NUT
4	WELL-30-BOGIE SIDE PLATE
4	WELL-31-BOGIE END BRACKET
2	WELL-32-BOGIE TOP BRACKET
12	WELL-33-AXLE BOX
12	WELL-34-LEAVE SPRING
8	WELL-35-SPRING HOLDER-1
16	WELL-36-SPRING HOLDER
4	WELL-37-SPRING SWING
6	WELL-38-WHEELS
16	WELL-39-M2x5 R-HEAD SCREW
16	WELL-40-M2 NUT
2	WELL-41-M4 NUT
1	WELL-42-LGB RAIL



NOTES: THESE DRAWINGS ARE BASE ON A SINGLE PHOTO COPY TAKEN FROM A "MODELBOUWER" UNKOWN DATE AND YEAR

TITLE  
**WELL-WAGON OF THE DUTCH RAILWAYS MODEL SCALE 1:32**  
**A3 TRACK GAUGE 45mm GENERAL ARRANGEMENT AND BOM**

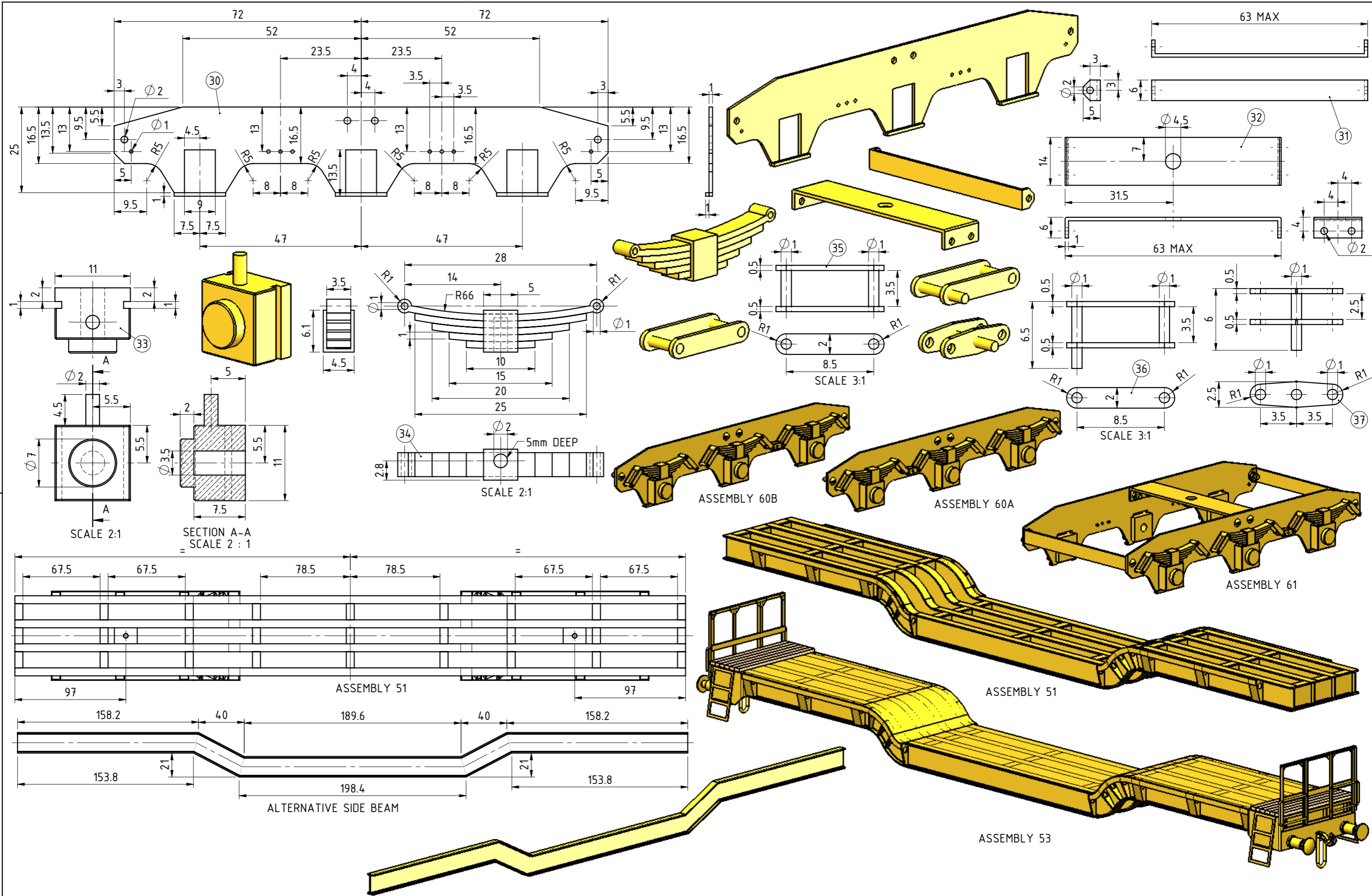
JDW DRAUGHTING SERVICES 12 BRIGHTWELL STREET PAKAPURA NEW ZEALAND TEL/FAX 0064-09-2988815 E-MAIL:dewaal@xtra.co.nz		DRAWN BY J.A.M. DE WAAL	PROJECT No: 01-04-07-03-00	DRAWING NUMBER WELL	SHEET 01
A ISSUED FOR CONSTRUCTION REV DESCRIPTION DATE	DATE JULY 2010	SCALE NTS or AS SHOWN	SH1 OF SH1 01 of 03	REV A	



NOTES: THESE DRAWINGS ARE BASE ON A SINGLE PHOTO COPY TAKEN FROM A "MODELBOUWER" UNKNOWN DATE AND YEAR

TITLE  
**WELL-WAGON OF THE DUTCH RAILWAYS MODEL SCALE 1:32**  
**A3 TRACK GAUGE 45mm PARTS & ASSEMBLIES**

DRAWN BY J.A.M. DE WAAL DATE JULY 2010	PROJECT No: 01-04-07-03-00 PROJECTION SCALE 1:1 @A3 or AS SHOWN	DRAWING NUMBER WELL SHEET 02 of 03 REV A	JDW DRAUGHTING SERVICES 12 BRIGHTWELL STREET PAPA KURA NEW ZEALAND TEL/FAX 0064-09-2988815 E-MAIL:dewaal@xtra.co.nz
---	---	---	---



NOTES: THESE DRAWINGS ARE BASE ON A SINGLE PHOTO COPY TAKEN FROM A "MODELBOUWER" UNKNOWN DATE AND YEAR

TITLE	WELL-WAGON OF THE DUTCH RAILWAYS MODEL SCALE 1:32	
A3	TRACK GAUGE 45mm PARTS & ASEMBLIES	

ISSUED FOR CONSTRUCTION	DESCRIPTION	DATE

JDW DRAUGHTING SERVICES  
12 BRIGHTWELL STREET  
PAPA KURA NEW ZEALAND  
TEL/FAX 0064-09-2988815  
E-MAIL:dewaal@xtra.co.nz

DRAWN BY  
J.A.M. DE WAAL  
DATE  
JULY 2010

PROJECT No:	01-04-07-03-00
PROJECTION	
DRAWING NUMBER	WELL 03
SHEET	03 of 03
SCALE	1:1 @A3 or AS SHOWN
REV	A

IF NOT STATED ALL CHAMFERS AND FILLETS 0.1mm

DO NOT SCALE OF DRAWING

REMOVE ALL BURS AND SHARP EDGES